

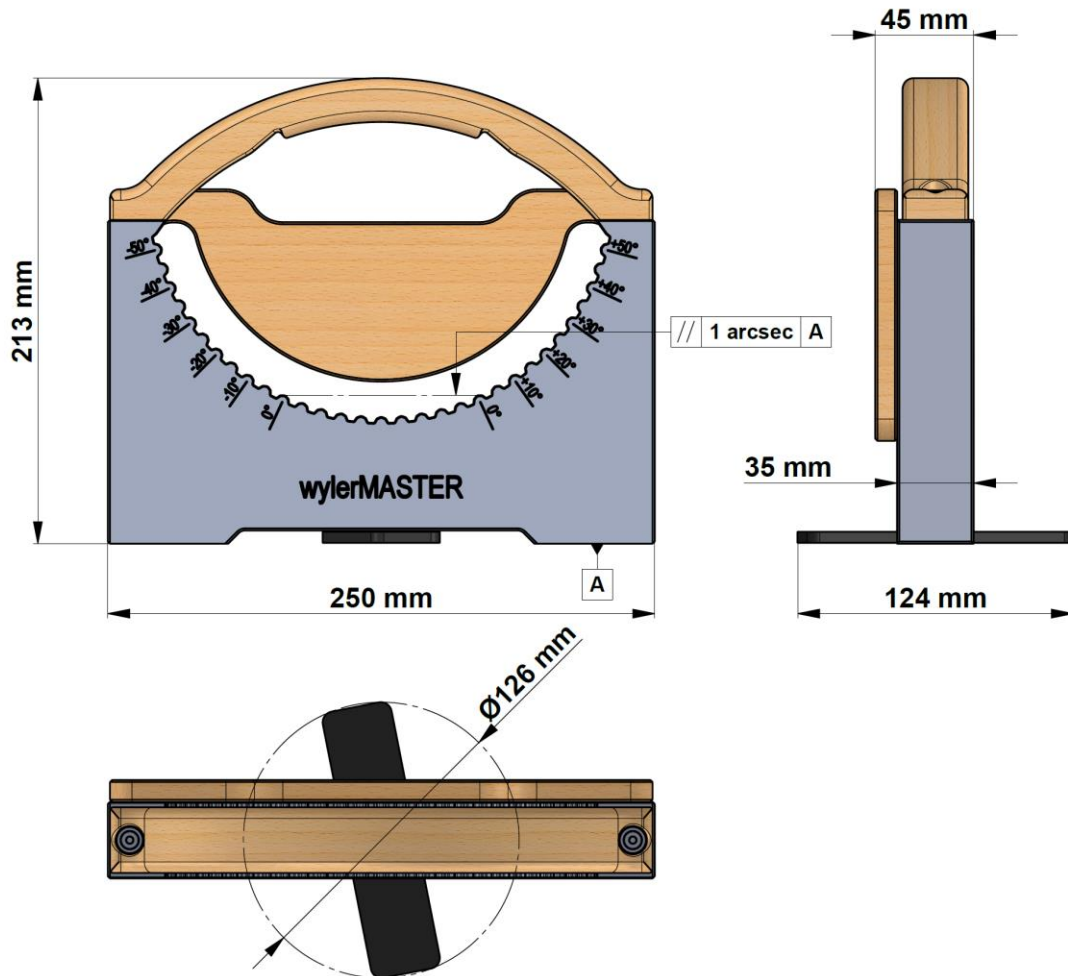
# wylerMASTER

P/N: 200-015-0001



The **wylerMASTER** is designed exclusively to calibrate inclination devices of the typ **Clinotronic S** and **Clinotronic PLUS** with a measuring range of 45 °.

**Technical data**



Specifications	Standard		
<b>Material</b>	stainless steel, hardened 55HRC / wood / POM		
<b>Range of calibration</b>	± 50°		
<b>Steps of calibration</b>	5°		
<b>Geometric precision</b>	0° ... 10° 5 arcsec	15° ... 25° 10 arcsec	30° ... 50° 15 arcsec
<b>Operation temperature</b>	18 ... 23°C		
<b>Storage temperature</b>	-30 ... 70°C		
<b>Weight net</b>	6.2 kg		
<b>Weight scope of delivery</b>	7.8 kg		
<b>Dimension L x W x H</b>	250 x 45 x 213 mm		
<b>Dimension L x W x H / support extended</b>	250 x 126 x 213 mm		
<b>Dimension case L x W x H</b>	390 x 310 x 147 mm		