

nivelSWISS-D

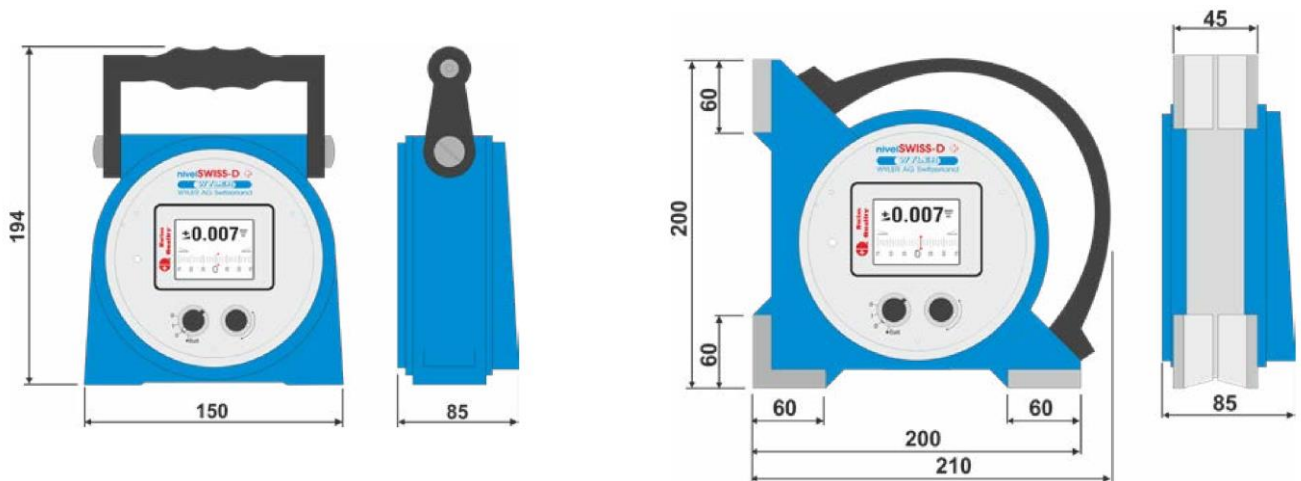
P/N 050D150-123-001



P/N 050D200-243-001



Dimensions



Specifications and applicable standards

Housing	050D150-123-001	050D200-243-001
Material	Cast iron	
Dimension	150 x 194 x 85 mm	210 x 200 x 85 mm
Base A	Flat – scraped	Prismatic – scraped
Base B		Prismatic – scraped
For shaft diameter		Ø20 ... 120 mm
Operating temperature	0 ... 40°C	
Storage temperature	-30 ... 70°C	
Standards	DIN 877 and DIN 2276/2	
Relative humidity	Max. 80 % RH up to 31 °C, decreasing linearly to 50 % RH at 40 °C	
Protection class	Not classified	
Weight with batteries	3.60 kg	4.35 kg

WYLER AG, Im Holderli 13 CH-8405 Winterthur	Datasheet nivelSWISS-D	949-DB-0029
		Revision: 1.0
		Page 2 of 2

Specification		
Range to choose	Range I	Range II
Sensitivity	0.005 mm/m	0.001 mm/m
Range	± 0.750 mm/m	± 0.150 mm/m
Limits of error (DIN 2276/2)	$M_W \leq 0.5 M_E$ max. 1 % M_W min. 1 digit $M_W > 0.5 M_E$ max. $0.01 (2 M_W - 0.5 M_E)$	
Temperature error (DIN 2276/2) / °C (∅ 10 °C)	max. 0.1 % M_E	
Response time	<5 sec	
Repeatability	0.001 mm/m	
Batteries	1x 1.5 V batteries, size C 1x 1.2 V rechargeable batteries, size C	

M_W = measured value

M_E = full-scale