

# NivelSWISS

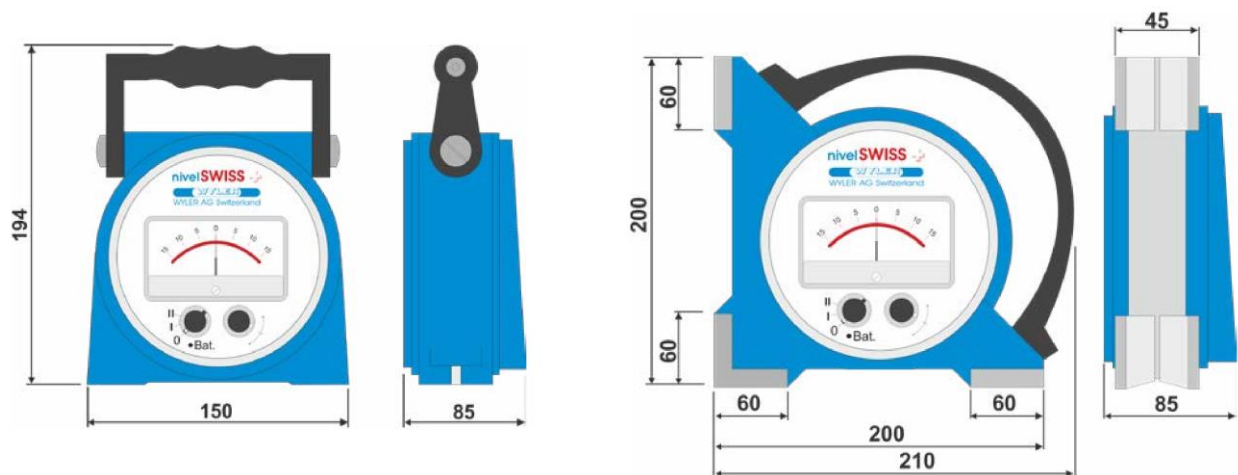
P/N 050-150-123-001



P/N 050-200-243-001



## Dimensions



## Specifications and applicable standards

Housing	050-150-123-001	050-200-243-001
Material	Cast iron	
Dimension	150 x 194 x 85 mm	210 x 200 x 85 mm
Base A	Flat – scraped	Prismatic – scraped
Base B		Prismatic – scraped
For shaft diameter		Ø20 ... 120 mm
Operating temperature	0...40°C	
Storage temperature	-30...70°C	
Standards	DIN 877 and DIN 2276/2	
Relative humidity	Max. 80 % RH up to 31 °C, decreasing linearly to 50 % RH at 40 °C	
Protection class	Not classified	
Weight with batteries	3.60 kg	4.35 kg

WYLER AG, Im Holderli 13 CH-8405 Winterthur	<b>Datasheet nivelSWISS</b>	<b>949-DB-0030</b>
		<b>Revision: 1.0</b>
		Page 2 of 2

Specification		
Range to choose	Range I	Range II
<b>Sensitivity</b>	0.050 mm/m	0.001 mm/m 0.2
<b>Range</b>	$\pm 0.750$ mm/m	$\pm 0.150$ mm/m
<b>Limits of error (DIN 2276/2)</b>	$M_W \leq 0.5 M_E$ max. 1 % $M_W$  $M_W > 0.5 M_E$ max. $0.01 (2   M_W   - 0.5 M_E)$	
<b>Temperature error (DIN 2276/2) / °C (∅ 10 °C)</b>	max. 0.1 % $M_E$	
<b>Response time</b>	<5 sec	
<b>Repeatability</b>	0.001 mm/m	
<b>Data output analog</b>	ca. $\pm 0.27$ V / resistance ( $R_{out}$ ) 5 kOhm	
<b>Batteries</b>	4x 1.5 V batteries, size AAA	

$M_W$  = measured value

$M_E$  = full-scale