

wylerSOLID

P/N: 065-007-0001

wylerSOLID fully assembled with a new ZEROMATIC 2/1 sensor

P/N: 065-007-0002

wylerSOLID fully assembled with a new ZEROMATIC 2/2 sensor

P/N: 065-007-0003

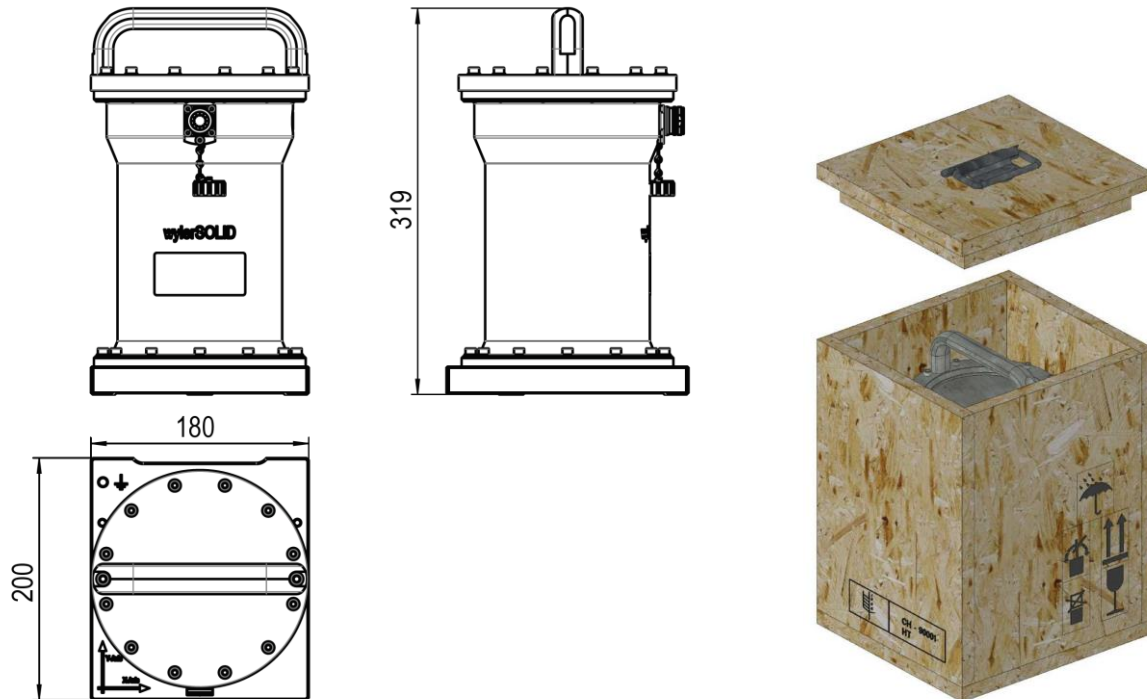
wylerSOLID fully assembled with a customer owned ZEROMATIC sensor

The wylerSOLID is a protective housing for the ZEROMATIC. It is supplied by WYLER AG complete with the ZEROMATIC. The ZEROMATIC contained is electrically insulated with the wylerSOLID housing.

For further information, please refer to the ZEROMATIC data sheet.

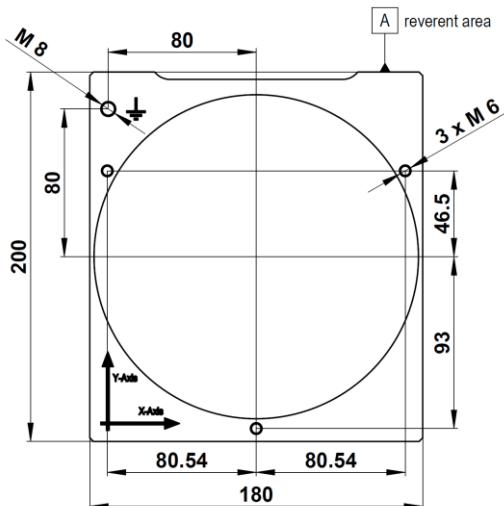


Dimensions



Mechanical assembling

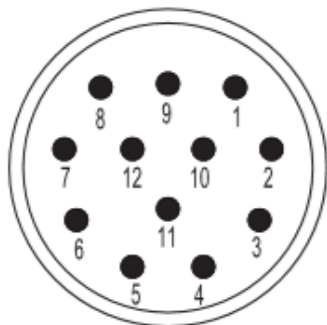
Stainless steel material is recommended for assembling



Housing	
Material base	Stainless steel
Material housing	Aluminum (hard anodized)
Length x width x height	180 x 200 x 319 mm
Operating temperature	-10 ... 60°C
Protection class	IP 66 / 67 (only with protective cap or plugged in)
Weight with ZEROMATIC	12.5 kg
Weight box	8.0 kg
Weight scope of delivery	20.5 kg
Length x width x height of box	275 x 295 x 400 mm (with handle)

WYLER AG, Im Holderli 13 CH-8405 Winterthur	Datasheet wylerSOLID	949-DB-0002
		Revision: 1.0
		Page 3 of 3

Connector (male)



Pin	Name	Description
1	+24 V	+ 24 V Power
2	GND	Ground
3	--	Not used
4	RTA	Wyler RS485 channel A
5	RTB	Wyler RS485 channel B
6	--	Reserved (unconnected)
7	--	Reserved (unconnected)
8	--	Reserved (unconnected)
9	--	Reserved (unconnected)
10	--	Reserved (unconnected)
11	--	Reserved (unconnected)
12	--	Reserved (unconnected)

Please Note

To lock the connectors, the threaded ring is tightened until it is 'finger-tight' (approx. 0.6 Nm).

Appropriate connectors

Plug (Wyler P/N 618-012-0013)
 Manufacturer: Hummel
 Type 7.301.500.000 M23 Signal
 Contact inserts M23 Signal 12 pins

