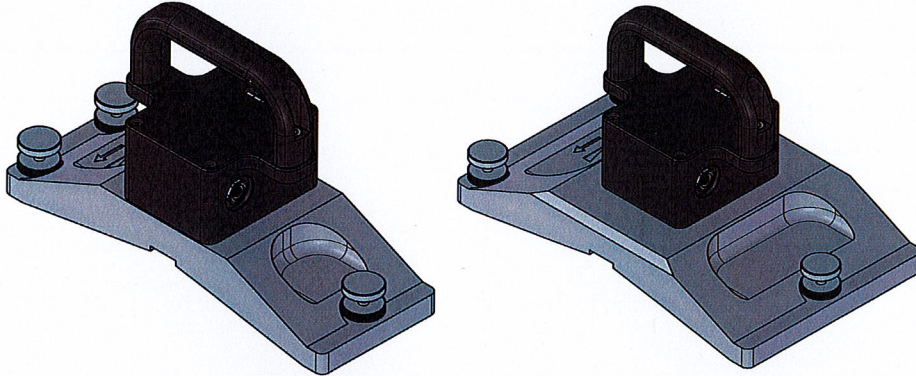


Declaration of Conformity EU

DoC



Base 90 mm and 150 mm



WYLER AG declares hereby under the sole responsibility that the product

Name **ZEROTRONIC-Prisma for Ø200-1200 mm**
Description Transceiver/Converter and inclination measurement sensor
Part Numbers 065H090-2000-3210, 065H150-2000-3210

The integral ZEROTRONIC has been submitted to a conformity assessment and fulfils the essential requirements of the following **European directives** and complies with the following harmonized standards or other normative documents

2014/30/EU
EN 61000-6-3 :2007
EN 61000-6-2 :2005

EMC (electromagnetic compatibility)
EMC emission standard for light industrial environments
EMC immunity standard for industrial environments

2011/65/EU
2015/863/EU
EN IEC 63000 :2018

RoHS (restriction of hazardous substances)
amending **Annex II** to ROHS **2011/65/EU**.
Technical documentation for the assessment of electrical and electronic products with respect of the restriction of hazardous substances

The authorized person to compile the technical file and issue the declaration of conformity:

Name / Position

Heinz E. Hinnen / CEO

Signature

Place and date of issue

Winterthur, November 03, 2022