

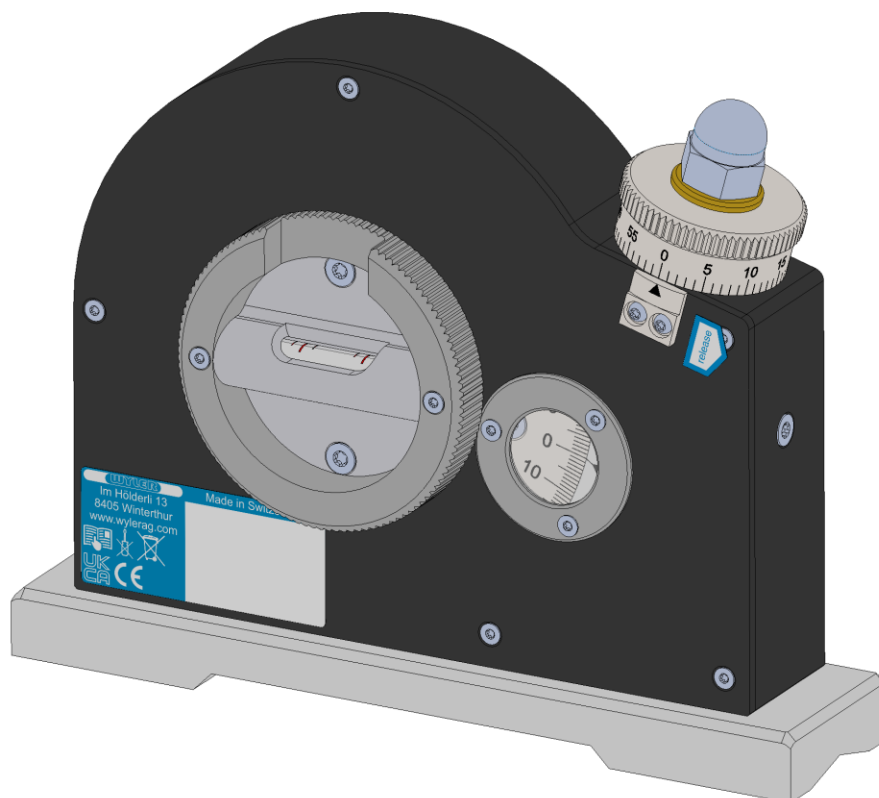
# CLINOMETER 80

P/N 180-150-112-300

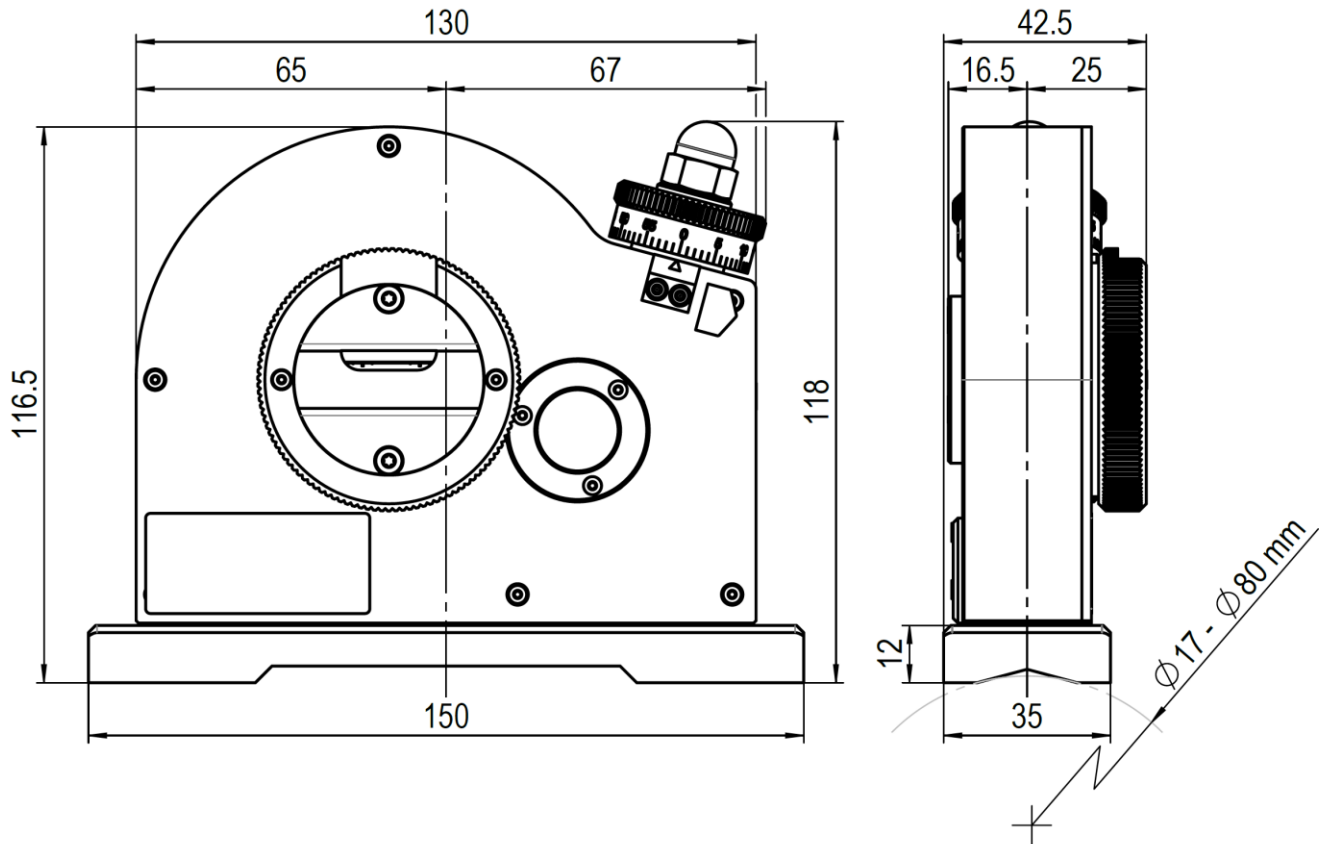
P/N 180-150-115-300

Magnetic inserts

- The Clinometer 80 is particularly suitable for precisely measuring angular deviation in any inclination on flat surfaces and shafts (with prismatic base only). Measuring range  $\pm 180$  degrees
- The Clinometer 80 allows in an easy way all sorts of inclination measurements with a reading of 1 arcmin. A guess at approx. 0.5 arcmin is possible for the experienced user
- For a rough setting, the micrometer drum can be disengaged by pressing it with the thumb in direction of the arrow. A coarse setting is then made by rotating the vial by hand. Reengage the drive and rotate the micrometer drum to obtain the final setting



## Dimensions:



## Specifications and applicable standards

Parameter	Value
Base	hardened steel, grinded
Housing	Aluminum - black anodized
Vial liquid and quantity	Methyl alcohol 1 ml
Dimension L x W x H	150 x 42.5 x 116.5 mm
Standards	DIN877 + DIN2276/1
Main scale	2 x 180°
Micrometer drum (scale division value)	1 arcmin
Vial (scale division value)	1 arcmin
Limits of error	1 arcmin
Lateral stability according	±2°
Operating temperature	15 ... 25°C
Storage temperature	-40 ... 70°C
Weight	1.60 kg