

## Quick Reference

## wylerSOLID

Release 1.1.2

**WYLER AG**  
Im Hoelderli 13  
8405 Winterthur  
Switzerland

Tel. +41 52 233 66 66 e-mail: [wylers@wylerag.com](mailto:wylers@wylerag.com)

[www.wylerag.com](http://www.wylerag.com)

**Outside Switzerland:** contact our representatives  
[www.wylerag.com/en/contact/representatives](http://www.wylerag.com/en/contact/representatives)

### Thank you for choosing WYLER!

Read this quick reference before start working with **wylerSOLID with integrated ZEROMATIC**.  
**Please follow the safety instructions.**

### Brand and Type

**Brand**

wylerSOLID

**Type**

Art. 065-007-0001 (ZEROMATIC 2/1)

Art. 065-007-0002 (ZEROMATIC 2/2)

Art. 065-007-0003 (Customer ZEROMATIC)

### Warning!

The following sign is used in this Quick Reference:  
This is intended to indicate special hazards



### Intended Use

- The **wylerSOLID** is designed exclusively for covering the **WYLER ZEROMATIC 2/X** Inclination Sensor.
- Attention: There is no other use!

### Not intended use / safety instructions



- Do not use this device as a leader or step plate
- Do not use as a hammer! The damaged assembling points are not usable anymore.
- Do not throw the device! The housing can cause serious injury.
- Do not immerse permanent the device in water! The protection category includes IP67 only!

### Technical data, Dimension, Weight, Protection, Operation, Storage

Dimension L x H x W:	180 x 200 x 320 mm	Weight:	8.5 kg
Box L x H x W:	290 x 270 x 390 mm	Weight box:	8 kg
Protection class	IP67	Weight Scope of delivery:	20.5 kg incl. sensor
Storage:	In box: -40 ... 60°C	Operation temperature:	-10 ... 60°C
Voltage/Power consumption:	24 VDC/ 7.2W		

### Standard scope of delivery

- 1- wylerSOLID fully assembled with a new ZEROMATIC 2/1 or 2/2 or a customer ZEROMATIC
- 2- Wooden box for storage, transport and shipping.  
- Quick Reference

#### Optional:

- 3- Cable with plug and customized end
- 4- Adapter for RS485 and 24V
- 5- Outdoor power supply 24V
- 6- Indoor power supply 24V  
- SCS certificate



### Decommissioning, disposal



When decommissioning the **wylerSOLID**, follow the local regulations for disposal of electronic and metal waste.

**Important user information**

- The wylerSOLID is equipped with an ZEROMATIC 2/X and is completely assembled.
- The wylerSOLID is tested to be ready for outdoor use with a protection class of IP67
- **Attention: Do not open any screw! The warranty will expire immediately!**

**Mechanical Assembling**

**Temperature**

Temperature changes may have a great influence on the measured results. All around the ZEROMATIC the same temperature must be applied.

**Mechanical Tensions**

Mechanical tension between the ZEROMATIC and the mounting bracket and/or the anchorage must be avoided, as these tensions are often the cause of unstable values.

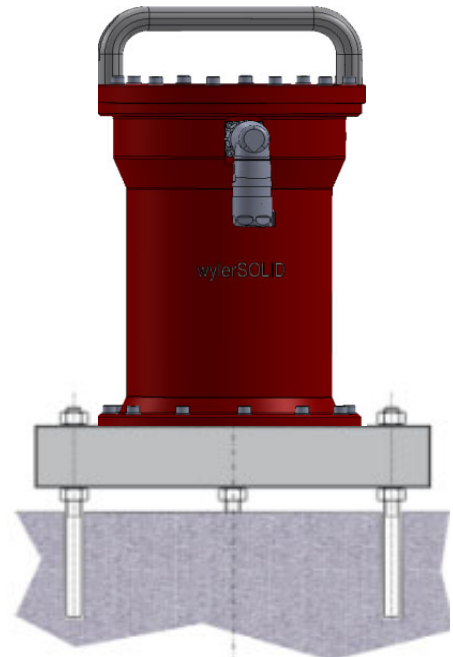
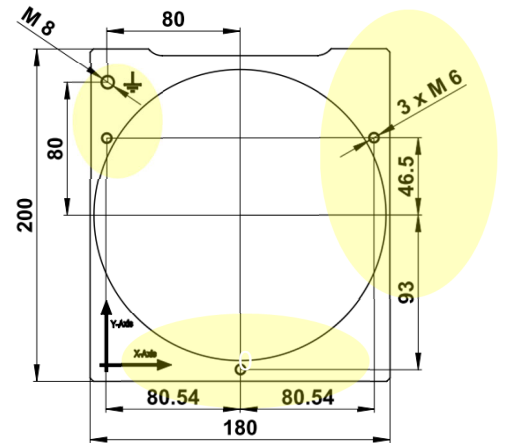
**Materials:**

- Handle: Aluminum powder coated
- Body: Aluminum red anodized
- Plate: Stainless steel
- Screws: V4A

**Stainless steel material is recommended for assembling**

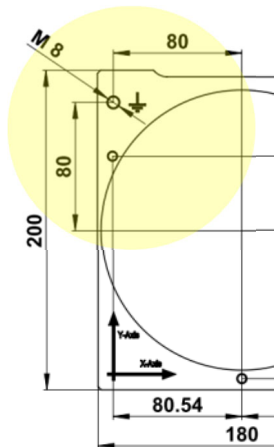
- M6 or M5
- Material: V4A
- Not in delivery included**

**Layout 3-point assembling**

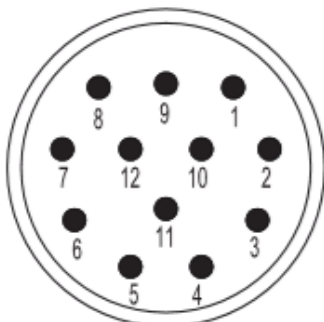


**Electrical Grounding**

- M8 thread
- Material: V4A
- Cable: 2.5 or 4 mm<sup>2</sup>
- Not in delivery included**



**PIN-Assignment socket: RS485 / 24V**



Pin (J1/J2)	PIN-Assignment
1	+24 V
2	GND
3	+5 V
4	RTA
5	RTB
6	
7	RTS
8	