

**WYLER AG**

Im Hoelderli 13  
8405 Winterthur  
Switzerland

E-Mail: [wyl@wyl.com](mailto:wyl@wyl.com)  
Tel. +41 52 233 66 66  
Website: [www.wyl.com](http://www.wyl.com)

**Outside Switzerland:**

contact our representatives  
[www.wyl.com/en/contact/representatives/](http://www.wyl.com/en/contact/representatives/)

**Thank you for choosing WYLER!**

Read this quick reference before start working with the **Multi TC**.  
Please note the safety instructions.



**Brand and Type**

**Brand:** Multi TC  
**Type:** 065-003-000-001

**Warning!** The following sign is used in this Quick Reference:  
This is intended to indicate special danger.



**Safety instructions**

The **Multi TC** complies with the applicable directives and standards, see:

- This Quick Reference
- The type label
- The CE Declaration of Conformity at [www.wyl.com](http://www.wyl.com)

**Intended Use**

- The **MultiTC** is a system component and interface. It is designed exclusively to connect WYLER products which are equipped with WyBus dll.
- **Attention!:** There is no other use allowed!

**Not intended use**

- Do not use as a hammer!
- Do not throw the device! The housing can cause serious injury.



- Do not use this device near sources of strong electromagnetic energy Radiation (e.g., unshielded radio frequency source) because they can interfere with operation.

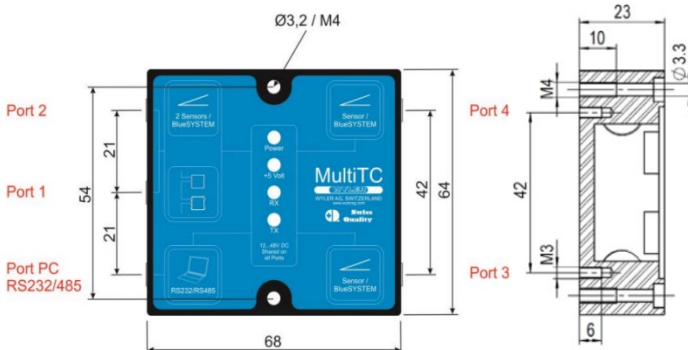
**DC-Characteristics**

Characteristics	Value
Power Supply +24V	12 – 30 V
Power Supply +5V	4.5 – 5.5 V
Power Consumption	max. 450 mW
Input Low Voltage	0.8V
Input High Voltage	2.4V

**Common Characteristics**

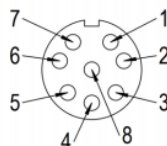
Characteristics	Value
Interfaces	RS232 on Port 0 RS485 on Port 1,2,3,4
Connectivity	Wyler USB-Cable wylCONNECT
Temp. (Operation and use)	-40 .. 85° C

**Dimensions:**



**Please Note:** To lock the connectors, the threaded ring is tightened until it is 'finger-tight' (approx. 50 Ncm)

**Pinout**



**Pinout Port 0:**

Pin	Name	Description
1	+24 V	+ 24 V Power
2	GND	Ground
3	+ 5 V	+5 V Power
4	RTA / TX	Wyler RS485 channel A or RS232 transmit line
5	RTB	Wyler RS485 channel B
6	RX	RS232 receive line
7	RTS	RS232 request to send
8	Key	Trigger Key

**Pinout Port 0, 1, 2, 3, 4:**

Pin	Name	Description
1	+24 V	+ 24 V Power
2	GND	Ground
3	+ 5 V	+5 V Power
4	RTA / TX	Wyler RS485 channel A
5	RTB	Wyler RS485 channel B
6	--	Reserved (unconnected)
7	--	Reserved (unconnected)
8	Key	Trigger Key

Standard scope of delivery: Multi TC, Quick Reference (data sheet: [www.wylerag.com](http://www.wylerag.com))

## Configuration

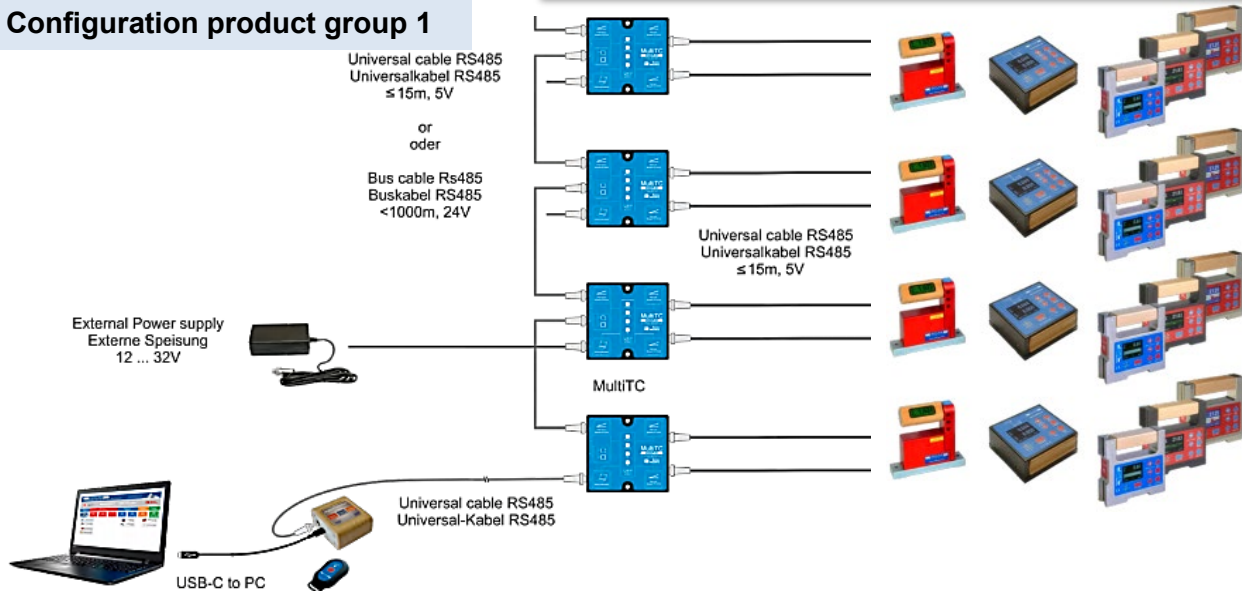
### ATTENTION

The MultiTC can handle only one protocol at the time.

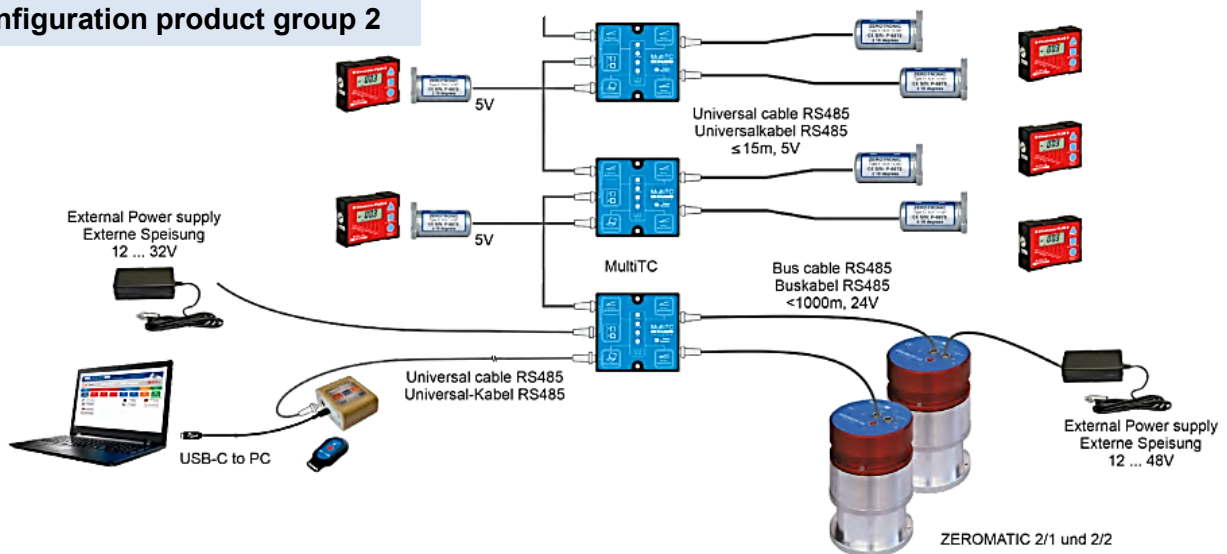
That means, you can connect only measuring instruments and sensors belonging to the same group to the MultiTC.



### Configuration product group 1



### Configuration product group 2



### Decommissioning, disposal



When decommissioning the Multi TC, follow the local regulations for disposal of electronic waste.