

**WYLER AG**

Im Hoelderli 13  
8405 Winterthur  
Switzerland

Tel. +41 52 233 66 66  
E-Mail [wyl@wylag.com](mailto:wyl@wylag.com)  
Website [www.wylag.com](http://www.wylag.com)

**Outside Switzerland:**

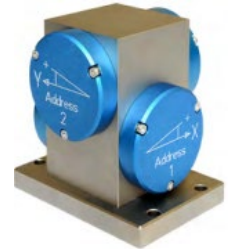
Contact our representatives.  
[www.wylag.com/en/contact/representatives/](http://www.wylag.com/en/contact/representatives/)

**Thank you for choosing WYLER!**

Read this quick reference before start working with the **Precision 2D block**.  
Please note the safety instructions.

**Brand and Type**

- Brand:** Precision 2D block (Sensors must be ordered separately)  
**Types:** 405-024-0016 (1 plug)  
 405-024-0020 (1 plug, ceramic isolation between block and mounting plate)  
 405-024-0014 (2 plugs)  
 405-024-0019 (2 plugs, ceramic isolation between block and mounting plate)



**Warning!**

The following sign is used in this Quick Reference:  
This is intended to indicate special danger.



**Safety instructions**

- The **Precision 2D block** complies with the applicable directives and standards, see:
- This Quick Reference
  - The type label
  - The CE Declaration of Conformity at [www.wylag.com](http://www.wylag.com)

**Intended Use**

- The **Precision 2D block** is designed exclusively for measuring inclination angles in two axes.
- **Attention!** There is no other use allowed!

**Not intended use**

- Do not use as a hammer!
- Do not throw the device! The housing can cause serious injury.



- Do not use this device near sources of strong electromagnetic energy Radiation (e.g., unshielded radio frequency source) because they can interfere with operation.

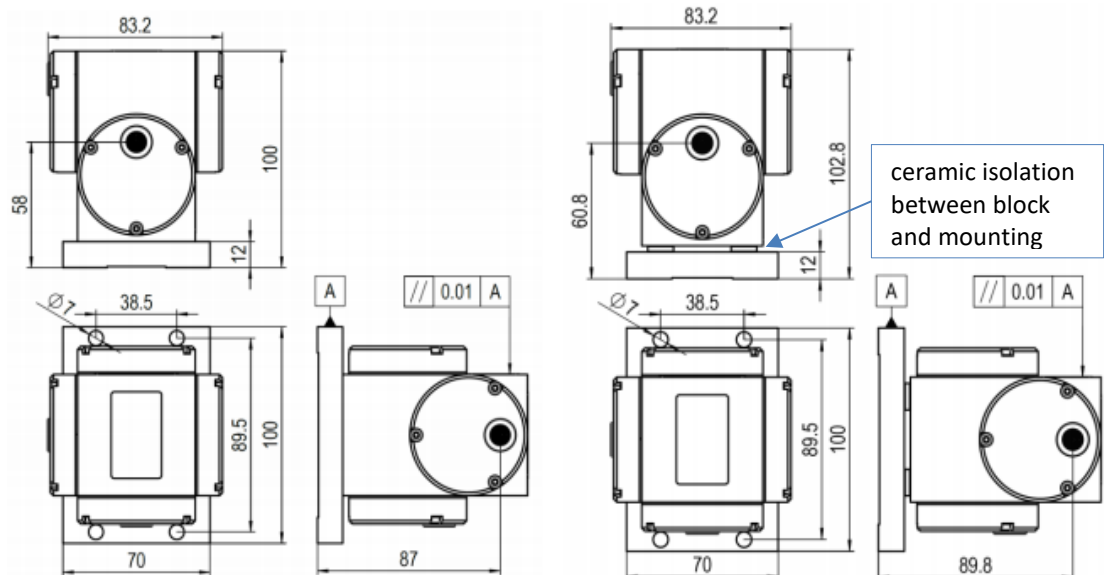
**Technical data**

**Measuring range and Resolution depending on installed ZEROTRONIC sensor and sampling time:**

**ZEROTRONIC 3** ± 0.5° ... ±10° see data sheet on [www.wylag.com](http://www.wylag.com)  
**Operation/storage temperature** -40° ... 85° C  
**Power supply / consumption** 5 V ±10% / max. 200 mW  
**IP (only with protective cap or plugged in)** IP67

**Weight** 2.3 kg incl. 2 sensors  
**Digital Output** RS485  
**Baud rate** Max. 57600  
**Max update rate** 10 Hz

**Dimensions:**



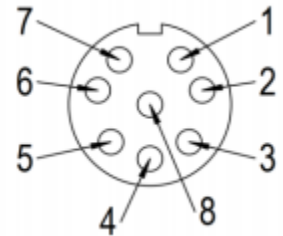
**Scope of delivery**

- Precision 2D block with or without ceramic isolation, equipped with separately ordered ZEROTRONIC sensors
- Quick Reference (data sheet on homepage: [www.wylerag.com](http://www.wylerag.com))

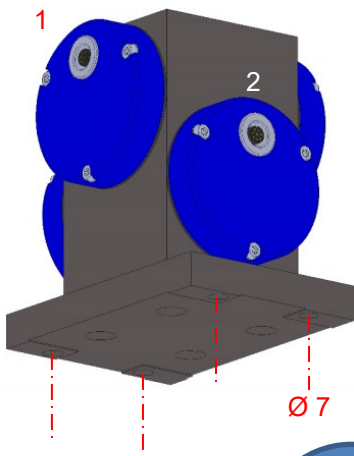
**Optional:** Case

**Pinout Port**

Pin	Name	Description
1	---	Not used
2	GND	Ground
3	+ 5 V	+5 V Power
4	RTA	Wyler RS485 channel A
5	RTB	Wyler RS485 channel B
6	---	Not used
7	---	Not used
8	---	Not used



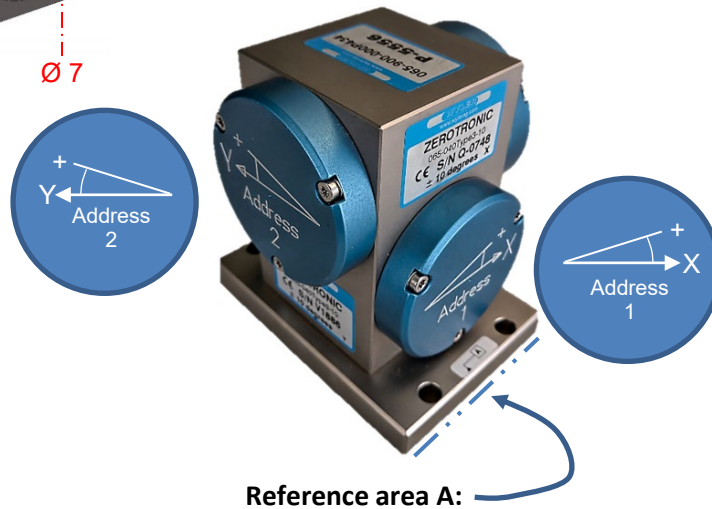
Please Note: To lock the connectors, the threaded ring is tightened until it is 'finger-tight' (approx. 50 Ncm)



**Connection of cable** 1 or 2\* connections via WYLER cables.  
\*Depending on ordered type.

**Assembling** With 4 screws ready for borehole 7 mm.

**Measuring direction** According picture below



**For Integration of WYLER devices into a third-party application:** please ask for information via:  
[wyler@wylerag.com](mailto:wyler@wylerag.com)

**Decommissioning, disposal**



When decommissioning the Precision 2D block, follow the local regulations for disposal of electronic waste.