

WYLER AG

Im Hoelderli 13
8405 Winterthur
Switzerland

Tel. +41 52 233 66 66
E-Mail: wyl@wyl.com
Website: www.wyl.com

Outside Switzerland:

contact our representatives
www.wyl.com/en/contact/representatives/

Thank you for choosing WYLER!

Read this document before start working with **Precision 2D block with switchable magnet**
Please note the safety instructions.


Brand and Type

Brand: Precision 2D block with switchable magnet
Type: 405-024-0022 (Sensors must be ordered separately)

Warning!

The following sign is used in this Quick Reference:
This is intended to indicate special danger.


Safety instructions

The **Precision 2D block with switchable magnet** complies with the applicable directives and standards, see:

- This Quick Reference
- The type label
- The CE Declaration of Conformity at www.wyl.com

Intended Use

- The **Precision 2D block with switchable magnet** is designed exclusively for measuring inclination angles in two axis.
- **Attention!:** There is no other use allowed!

Not intended use

- Do not use as a hammer!
- Do not throw the device! The housing can cause serious injury.



- Do not use this device near sources of strong electromagnetic energy Radiation (e.g., unshielded radio frequency source) because they can interfere with operation.

Technical data

Measuring range and resolution depending on installed ZEROTRONIC sensor and sampling time:

ZEROTRONIC 3: $\pm 0.5^\circ$ up to $\pm 10^\circ$, see data sheet on homepage

Weight: 2.5 kg incl. 2 sensors

Operation/storage temperature: -40° bis $+85^\circ$ C

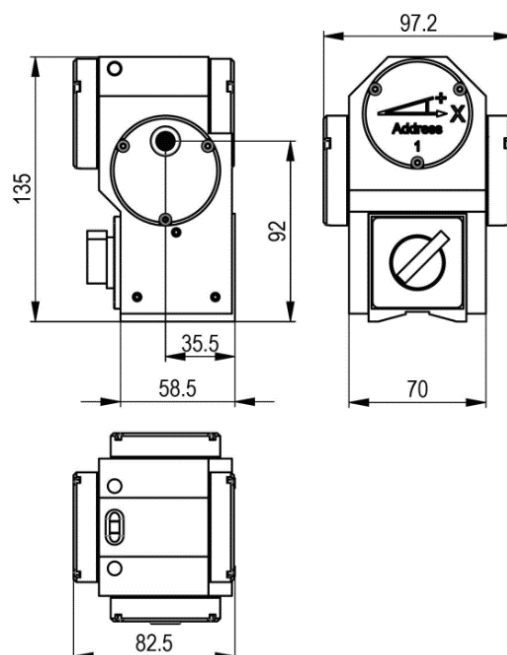
Digital output: RS485

Power supply / consumption: $5V \pm 10\%$ / max. 200 mW

Baud rate: Max. 57600

IP (only with protective cap or plugged in): IP67

Max update rate: 10 Hz

Dimensions:


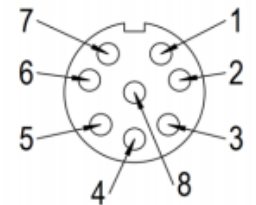
Standard scope of delivery:

- Precision 2D block with switchable magnet
- Quick Reference (data sheet: www.wylerag.com)

Optional: Case

Pinout Port

Pin	Name	Description
1	---	Not used
2	GND	Ground
3	+ 5 V	+5 V Power
4	RTA	Wyler RS485 channel A
5	RTB	Wyler RS485 channel B
6	---	Not used
7	---	Not used
8	---	Not used

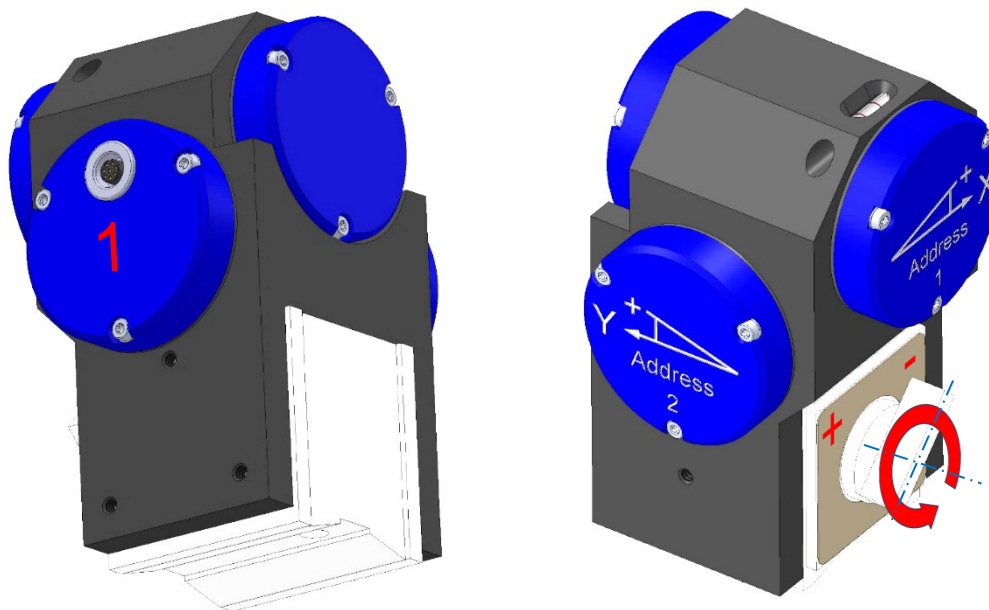


Please Note: To lock the connectors, the threaded ring is tightened until it is 'finger-tight' (approx. 50 Ncm)

Connection of cable: One (1) connection via WYLER cables.

Positioning: Place the instrument.
Turn the switch in the "+ direction"

Measuring direction: Note the blue covers "x" and "y"



For Integration of WYLER devices into a third-party application: please ask for information via: wyler@wylerag.com

Decommissioning, disposal

WARNING



When decommissioning the **Precision 2D block with switchable magnet**, follow the local regulations for Disposal of electronic waste.